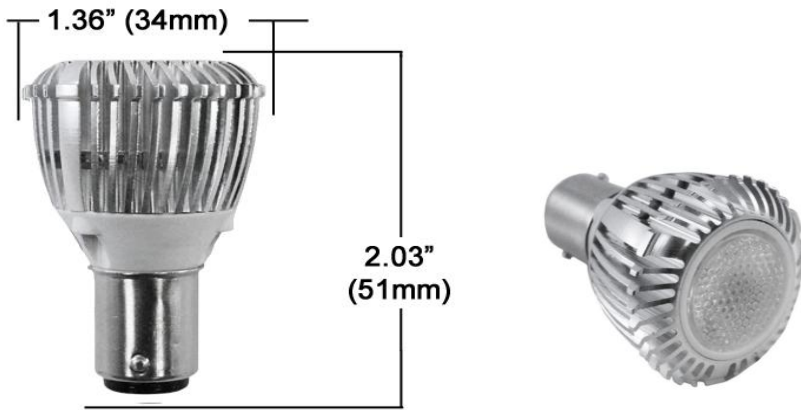




LED-GBF-2W



Specifications:

Model:	LED-GBF-2W
Wattage:	2 Watts (Cree LED's)
Current:	0.16A @ 12V
Voltage:	12VAC/DC
Luminous Flux:	160 Lumens (80 lm/W)
Base Type:	BA15D (double contact bayonet)
Replaces:	20W GBF (6435FR) Halogen Bulb
Dimensions:	(see photo above)
Rated Life:	50,000 Hours

Certifications:



Features:

- 50% ~ 75% less power consumption vs. Incandescent lamps
- 50,000 Life Hours (5-10 x longer live vs. Incandescent lamps)
- Powerful lumen output combined with effective light distribution
- Low heat output to the touch, and no UV light.
- 3 Year Warranty.
- Certifications: CE, RoHS

Ordering:

	Wattage.	Color Temp.
LED-GBF	-	2W
		W
		W = (3000K)

Norman Lamps, Inc.

Norman Lamps has one of the largest lamp inventories in the United States since 1985. This inventory, combined with state-of-the-art order processing allows us to ship your orders accurately and without delay. Normans LED retrofit lamps combine the highest level of energy saving efficiency with the highest lumen output levels, longest life hours, best color rendering, strong light throw and effective beam spread to create the ultimate in LED lamps and fixtures.