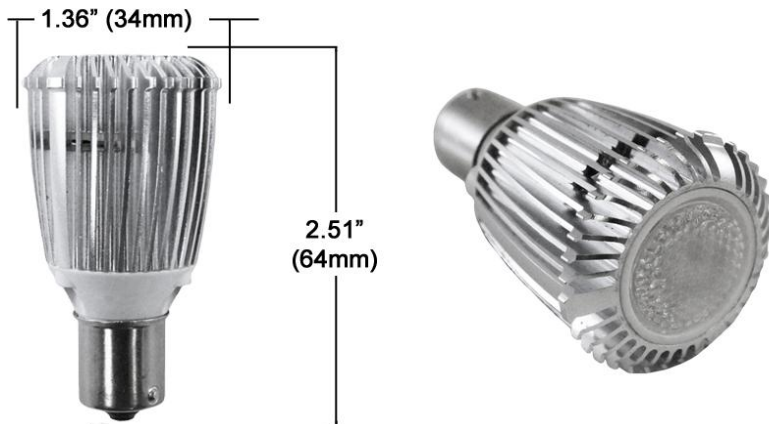


LED-1383-2W



Specifications:

Model: 1383 LED
Base: BA15S - Single Contact Bayonet Base
Power Consumption: 2 Watts Cree™ LED
Voltage: 12VAC/DC
AMPS: 0.16
Luminous Flux: 160lm (80 lm/W)
Certifications: CE, RoHS (UL Pending)
Replaces: 20 Watt 1383 Mini Reflector Lamp
Aluminum housing design effectively dissipates heat.

Features:

- * 75% ~ 90% less power consumption vs. Incandescent lamps
- * 50,000 Life Hours (10-15 x longer live vs. Incandescent lamps)
- * Powerful lumen output combined with effective light distribution
- * Very low heat output to the touch, and no UV light.
- * 3 Year Warranty.

Options:

Color Temperature: 3000K (Warm White)
Beam Spreads Available - 45°

Toll Free: 800-992-8020 – Sales@NormanLEDs.com
<http://www.NormanLEDs.com>

Norman Lamps, Inc.



Since 1985 Norman Lamps, Inc. has been a privately held State of Illinois Corporation. Our primary business consists of manufacturing, importing and distribution of lamp products for commercial, industrial and residential applications.

NormanLEDs.com

Norman Leads the way with the next generation in LED retrofit lamp technology. After years in development, Norman has produced a line of super efficient, fully functional, white light LED lamps for retrofit of Incandescent, Halogen and CFL lamps.

Normans LED retrofit lamps combine the highest level of energy saving efficiency with the highest lumen output levels, longest life hours, best color rendering, strong light throw and effective beam spread to create the ultimate in LED retrofit lamps.



Copyright © Norman Lamps, Inc.